

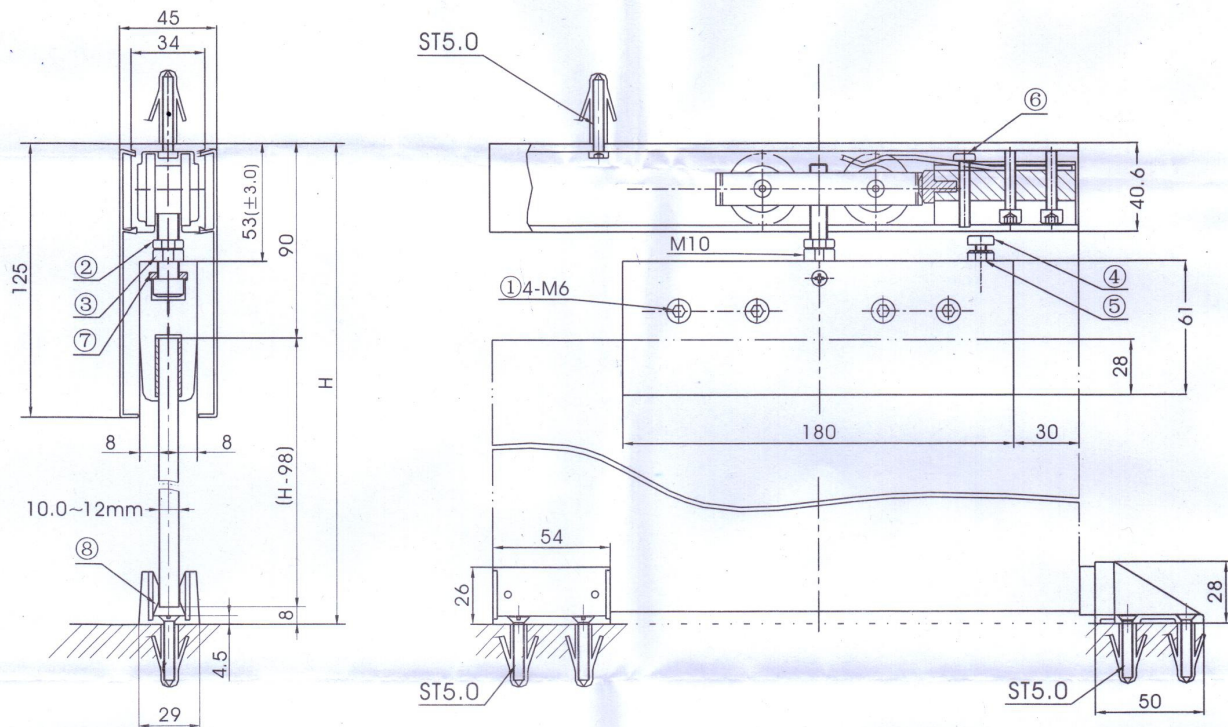
## 966-120G Sliding Door System Installation Guide

Components included:

966-DG120 Sliding Door Fixings

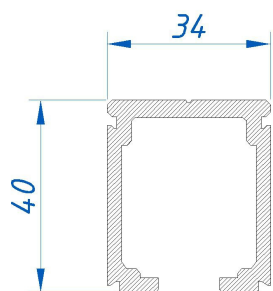
965-TK Aluminum Track

965-CV Aluminum Side Cover

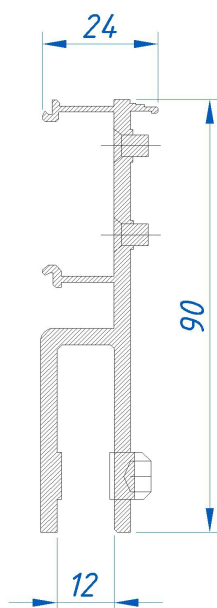


1. Installation should be carried out by qualified and experienced technician only.
2. **966-DG120:** this system fits 10-12mm flat safety tempered glass, the maximum glass weight should not over 120kgs, whereas the maximum glass size should not over 1.5m (60 ") x 2.4m (96 ").
3. Carefully check the measurements in the drawing and install according to these figures with accurate measuring tools.
- ⚠ 4. When the glass panel is installed, ensure all fixings are not loosen and screwed properly, twisting motion must be 16~18Nm for all screws of ① .
5. After installation of clamps, adjust the height of glass panel by screwing ② & ③ . The swing gap of the sliding door can be adjusted by the position of screw ④ & ⑤ . Ensure all screws are tightened after adjusting.
6. Adjust screw ⑥ such that the door stops smoothly at a buffer distance.
7. 10mm thick of safety tempered glass is taken as default specification, if 12mm glass is installed, some fixings has to be changed accordingly (⑦ & ⑧ in the drawing).
8. Carefully check again if the door slides smoothly, all fixing parts are function properly when the door is installed.

965-TK



965-FC



965-CV

